

ELEVATION

ORDER #: H21T

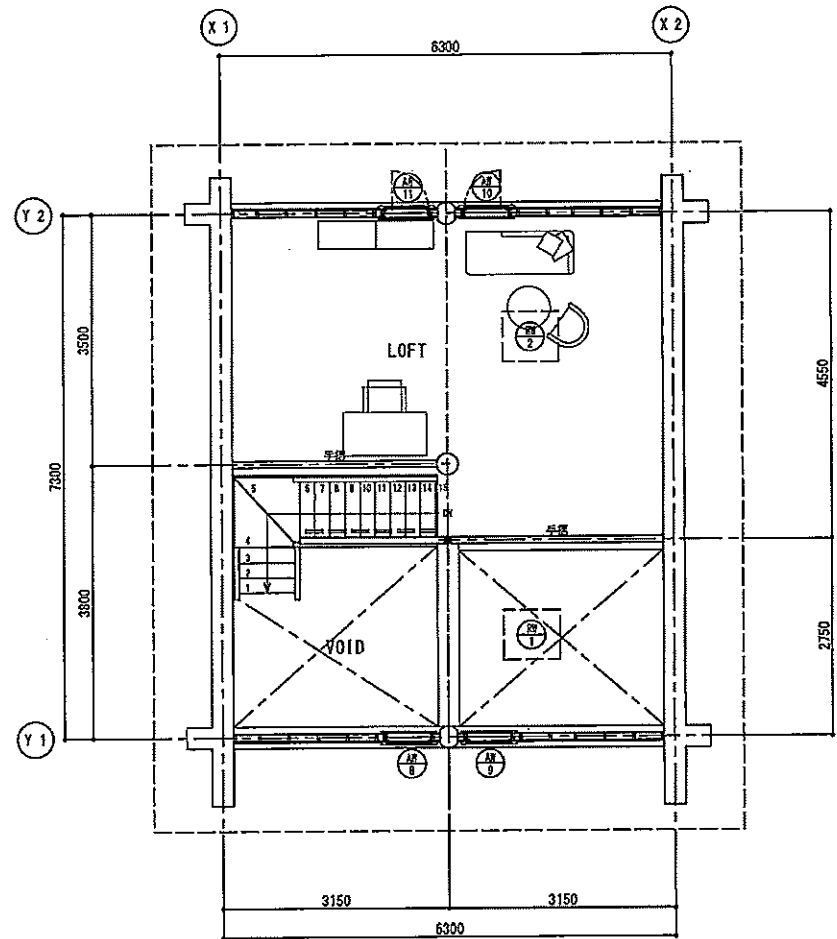
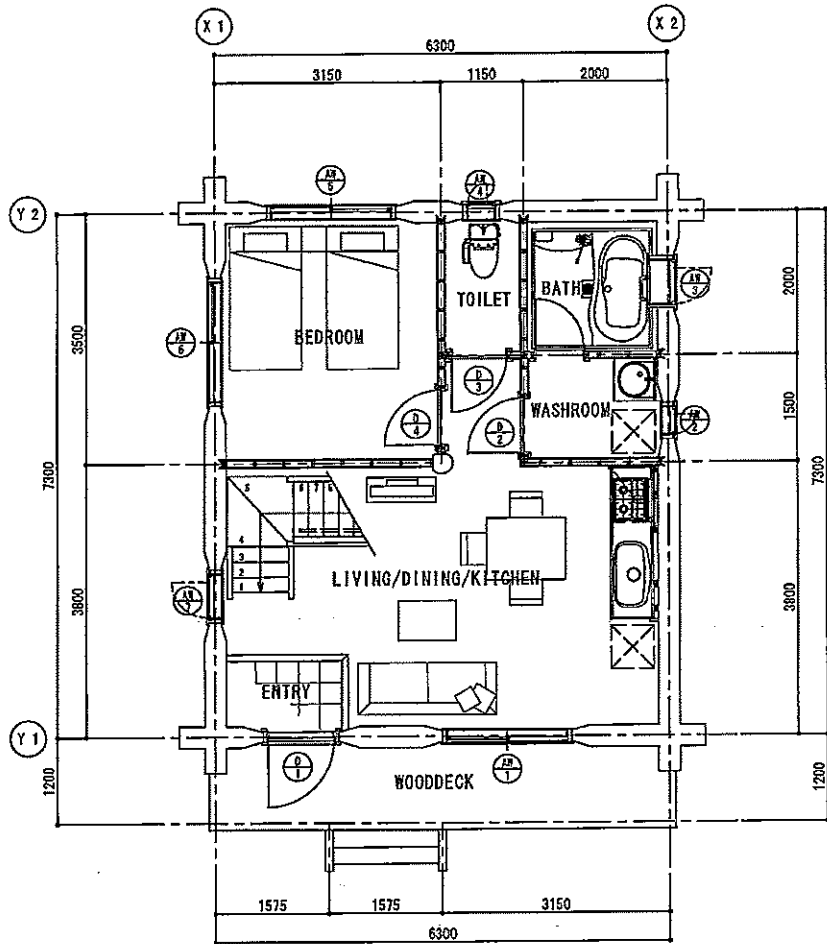
AREA:

2011/1/27

SCALE BY:

DRAWN BY:

SHEET:



main floor	45.99 m ²
upper floor	29.75 m ²
surface area	75.74 m ²
wood-deck	7.56 m ²
total area	83.30 m ²

FIRST & SECOND FLOOR PLAN

ORDER #: H21T

AREA:

2011/1/27

DRAWN BY:

CHECKED BY:

SHEET: